

elipson® | Heritage XLS15

COMPACT LOUDSPEAKER

The Elipson Heritage XLS 15 loudspeaker is inspired by the monitor speakers of the 1970s.

A resolutely vintage and modular aesthetic code thanks to its two supplied bases. But beyond its aesthetic, its musicality comes first

This compact 3-way loudspeaker tuned in bass reflex design with front-firing flared port benefits from a new 30 cm diameter cellulose woofer with a powerful magnet, a new 55mm diameter treated dome midrange covering nearly three octaves and finally a 22mm diameter silk dome tweeter declined from the famous tweeter from our flagship model of the Prestige Facet series.

A fine amplitude of 2dB allows you to adjust the mid and high frequencies levels according to your listening room or auditory affinity. In addition, it is possible to insert a base 7° tilt (supplied) for perfect acoustic phasing or on an optional metal stand that raises it by 19 cm in addition to this inclination.

Energy and control of the bass, definition and relief of the midrange, delicacy and extension of the high frequencies characterize the sonic pleasure of this Elipson Heritage XLS15 loudspeaker.



*stand in option (p.3)



TECHNICAL

Type Compact loudspeaker 3 way	Cut-off frequencies 700 & 5000 Hz
Tweeter Silk dome 0.87"	Sensibility 92 dB / 1m / 1w
Midrange Coated dome 2.2"	Impedance 6 Ohms
Bass Cellulose pulp 12"	Recommended amplification 50-200 W
Bass reflex Front firing	Power (RMS) 200 W
Frequency response 40 Hz - 25 kHz +/- 3 dB	

DIMENSIONS WEIGHT

Dimensions L x H x D: 420 x 730/700 x 339 mm	Weight 28 kg
--	------------------------

PACKAGING

Dimensions inner box L x H x D: 845 x 535 x 455 mm	Gross weight 34,5 kg
Dimensions outer box L x H x D: 875 x 555 x 475 mm	

NICE TO KNOW

Designed and engineered in France
Accessory Loudspeaker compatible with XLS Stand 1 (see p.3) excepted the old version : ELIHERXLS15

PRODUCT CODES

SKU ELIHERXLS15B	EAN 3700795192597
----------------------------	-----------------------------

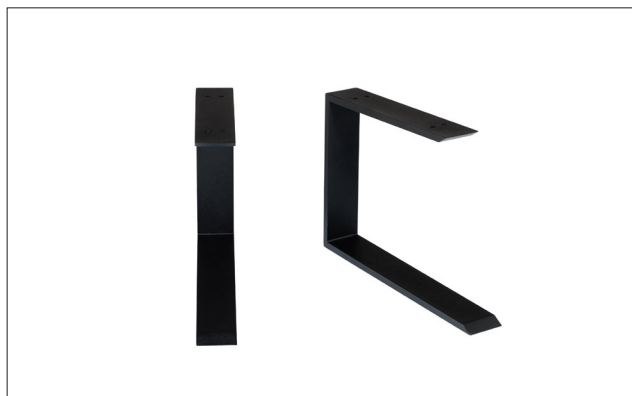
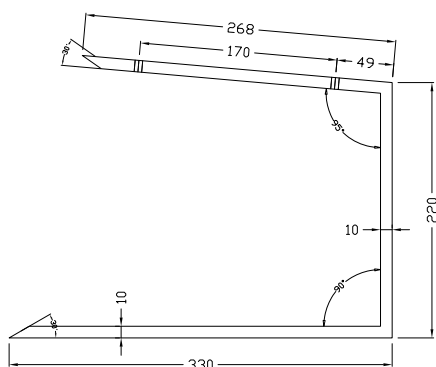
elipson® | XLS Stand 1

ACCESSORY : METAL VINTAGE STAND



FOR HERITAGE XLS 15 & XLS 11

DIMENSIONS :



*Optional stands, and compatible with Heritage XLS15 loudspeaker excepted the old version : ELIHERXLS15

MAXIMUM SIZE / WEIGHT



COLOR(S)

● Black satin

SKU : ELIXLS1BK
EAN : 3700795192993

SPECIFICATIONS :

Finish : Black satin
Structure : Metal
Max load : 40 kg
Dimensions : W330x H220 x D50 mm
Rising height : 225 mm
Weight : 2,95 kg (/unit)

PACKAGING PER PAIR (2) :

Quantity/box : 4 unités (1 paire d'enceintes) /1 carton
Gross weight : 13,5 kg

elipson® | Heritage XLS15

ACCESSORY : METAL STAND - NORSTONE VINTAGE STAND*



*optional accessory

SPECIFICATION:

Finishes: Satin black

Structure: Metal tube

Max load: 60 kg

Dimensions: L x H x D : 380 x 260 x 280 mm

Rising height: 190 mm

Weight: 1,42 kg

PACKAGING BY PAIR (2):

Dimensions: TBC

Gross weight: TBC

SKU: NORHERSTA

EAN: 3700795180532